

X-Link Cable kit 3370

Connect a Jotron TR810 to Mimer X-Link MK2

Also refer to the X-Link setup manual.

Interface Power Supply

12VDC / max 0,3A.

Power connection through separate cable delivered with the interface. Red is positive.

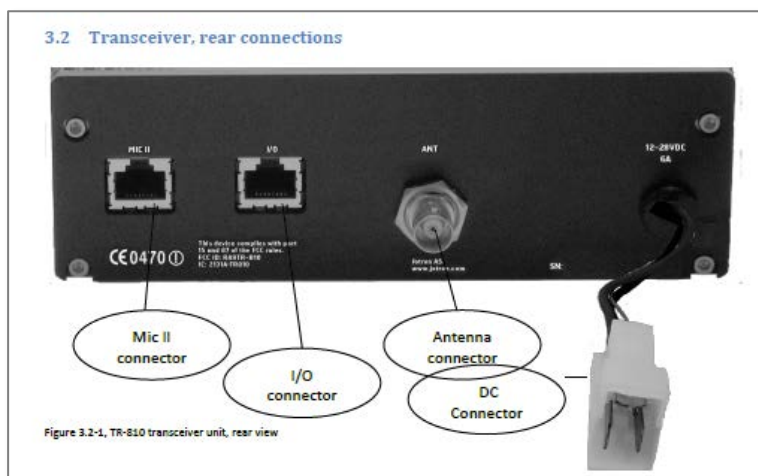
Programming the radio

- The correct microphone port
- The speaker output port, and level

See screen shots on following pages.

Connecting the radio

The radio is connected through both RJ45 connectors on the back.



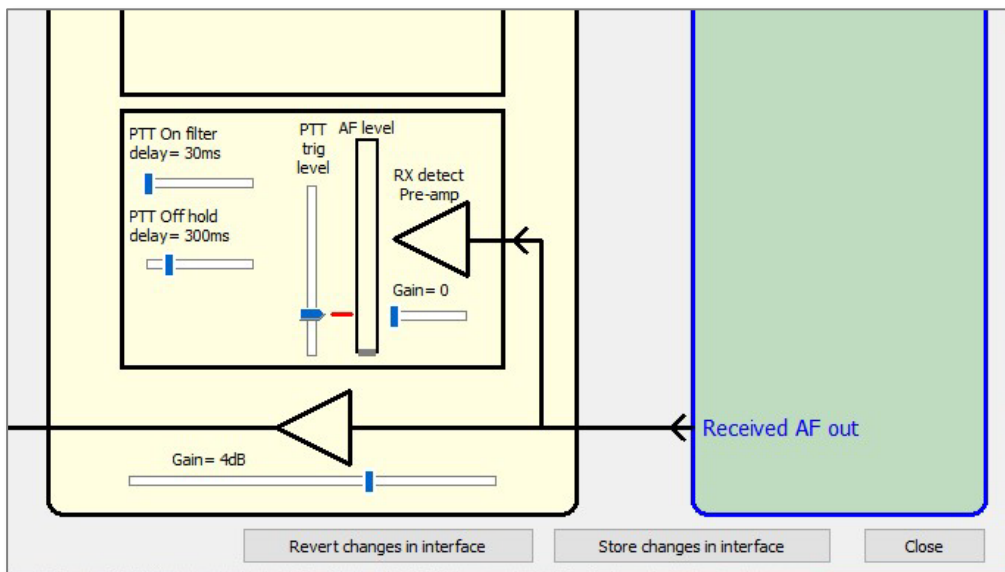
Picture from Jotron manual

Settings in the X-Link interface

Select the proper settings for Radio A or Radio B depending on your connection.

- Radio with AF level sense for Rx detect.
- Set the detect level etc.
Details can be found in the set up manual.

The levels in the picture are our recommendations. You might find that your radio needs adjustments.



Part of the Configuration software window

Check/adjust the audio levels in both directions in the interface so that the users can hear the X-Link with the same level as when listening to other radios.

See the X-Link setup manual for details on setting the audio level.

Radio Settings Screen shots from TR810

See pictures below for settings.

Default password for settings is 0000.

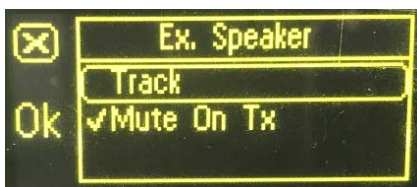
Select Rear Microphone:

Menu path:	Parameter	Setting:
Radio Ctrl / Audio	Mic Rear	On



External speaker settings:

Menu path:	Parameter	Setting:
Radio Ctrl / Audio / Ex. speaker	Track	Off
Radio Ctrl / Audio / Ex. speaker	Mute On Tx	On



Menu path:	Parameter	Setting:
Radio Ctrl / RX settings	Ext. speaker	50%

